

- MAXIMUM PERFORMANCE -

NOTHING CAN REPLACE THE FEEL  
OF A REAL WOOD FIRE!



VF 1700 FS  
step top with  
gold door and  
pedestal



VF 1200 FS flat top with  
painted door and gold legs



VF 1700 FPI  
with  
nickel door

**VISTAFLAME**



HEARTH PRODUCTS

VISTAFLAME 1200 AND 1700 WOOD STOVES AND 1700 WOOD INSERT

# VISTAFLAME VF 1200 AND 1700

## Specifications:

	VF1200 FS (flat top)	VF 1700 FS (flat top/step top)	VF 1700 FPI
Max Output BTU's* (Dry cord wood)	67,000 BTU's	74,000 BTU's	74,000 BTU's
Heating Area *	800-1500 sq ft.	1000 - 2200 sq ft.	1000 - 2200 sq ft.
Burn times *	6 - 10 hours	8 - 12 hours	8 - 12 hours
Maximum Log Size	18"	20"	20"
EPA Efficiency	82.6%	84.7%	84.7%
EPA Emissions	3.3 g per hour	4.5 g per hour	4.5 g per hour
Weight	400 lbs	450 lbs	390 lbs
Flue diameter	6"	6"	6"
Steel thickness of top	5/16"	5/16" / 1/4"	1/4"
Firebox Capacity	1.85 cu ft.	2.50 cu ft.	2.50 cu ft.
Convection fan	130 cfm (optional)	130 cfm (optional)	135 cfm (standard)

## Clearance to Combustibles:

(see owner's manual for further information)

(single wall/double wall/double wall  
with heat shield)

	VF1200 FS (flat top)	VF 1700 FS (flat top/step top)	VF 1700 FPI
Side wall to side of unit	13" / 13" / 13"	20" / 13" / 13"	10"
Rear wall to back of unit	11" / 10" / 8"	12" / 10" / 7"	-
Adjacent wall to corner	9" / 8" / 6 1/2"	10" / 8 1/2" / 6"	-
Top of unit to bottom of 8" mantle	-	-	24"
Top of unit to max 3/4" combustible facing	-	-	19 1/2"

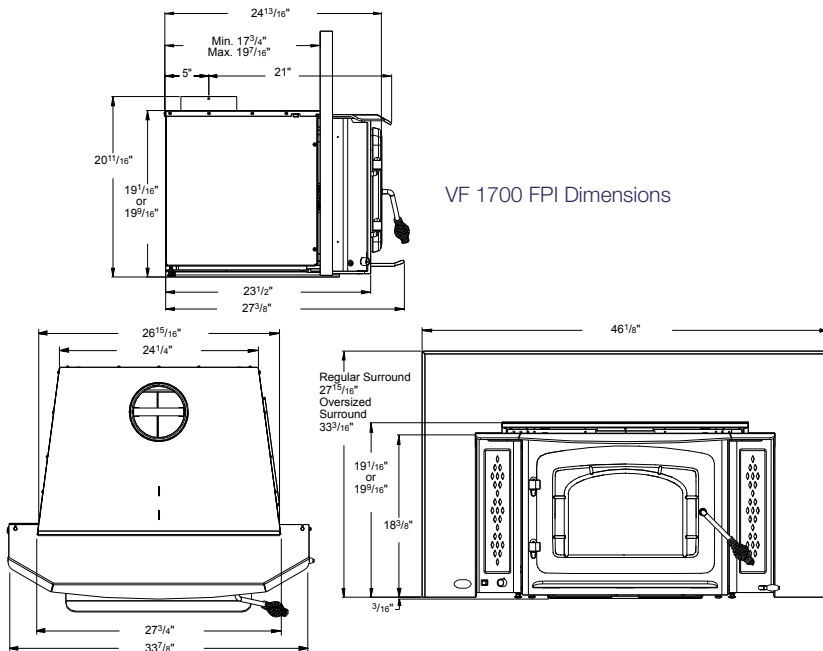
\* Figures will vary considerably with floor plan, house layout and heat loss of house. Due to on-going product development, product appearances and specifications are subject to change without notice. Efficiency and area heated will vary according to location and fuel.

## Options:

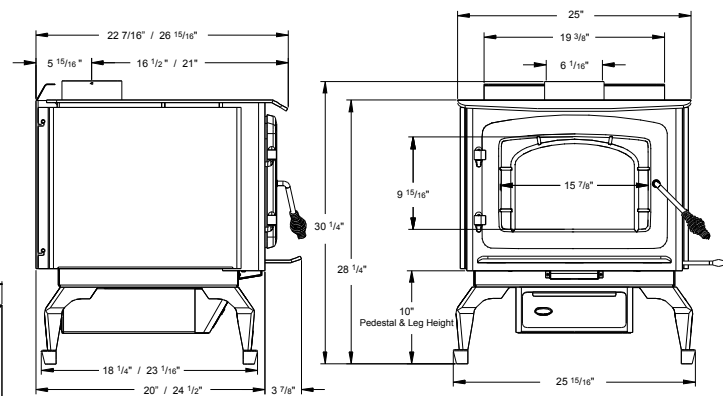
	VF FS 1200/1700	VF FPI 1700
Painted Filigree Door	✓	✓
Brushed Nickel Filigree Door	✓	✓
Gold Filigree Door	✓	✓
Fan Kit	✓	-
Fresh Air Kit	✓	✓
Heat Efficiency Shield	✓	-
Regular Panel	-	✓
Oversize Panel	-	✓

## Exclusive Features:

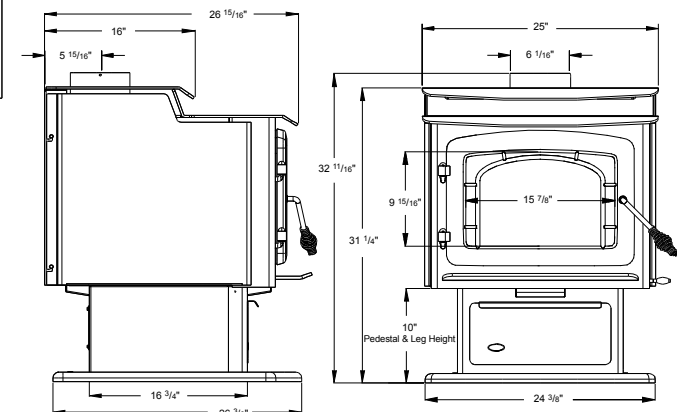
- Large firebox capacity for long overnight burns.
- Single, easy-to-use air control adjusts the heat output and regulates the fire.
- Twin pilot injection ports tuned to deliver a fast start-up. These injection ports are 3" above the firebox floor so you can build a good deep ember bed and not affect low burn or start up.
- Ultra strong air wash helps to keep glass clean.
- Comes standard with poker and gloves.



VF 1200 / 1700 FS Flat Top Dimensions



VF 1700 FS Step Top Dimensions



**VISTAFLAME**  
HEARTH PRODUCTS

Listed By  
**O-T-L**  
US  
OMNI-Test Laboratories, Inc.

Portland  
Oregon USA

**HPBA**

Approved for sale in Canada and the United States • Manufactured by Sherwood Industries Ltd., Victoria, BC Canada  
www.vistaflame.ca • Printed July, 2009