

- Powerful Heat -

VISTAFLAME - VF-170 Pellet Stove



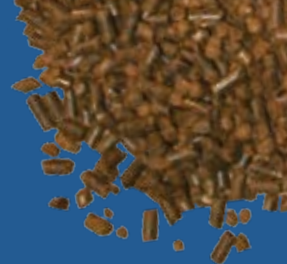
VISTAFLAME



HEARTH PRODUCTS

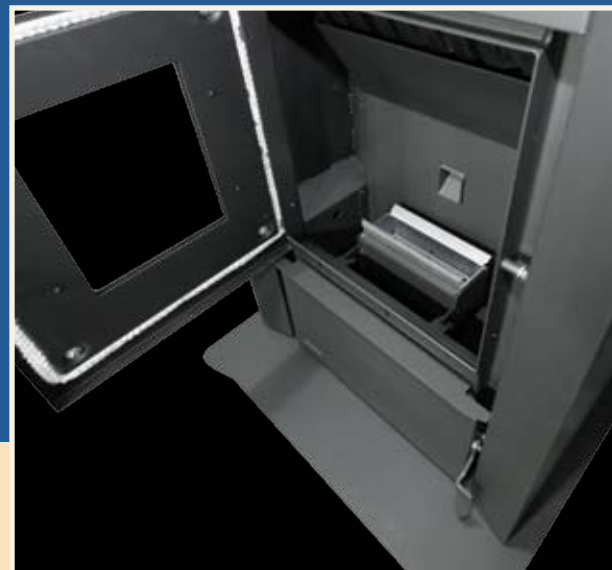
WARM UP TO A VISTAFLAME!

VISTAFLAME VF-170



Freestanding Pellet Stove

16,000 BTU's to
70,000 BTU's



Specifications:

Area heated*	900 to 2700 sq. ft.
Efficiency*	80%
BTU/H input	16,000 to 70,000
Hopper Capacity	130 lbs.
Weight	325 lbs. (455 lbs. with fuel)
Power - normal use/start-up	300 watts/450 watts

Exclusive Features:

Large (1320 sq. in.) heavy duty heat exchanger



Easy to clean -

- Heat exchanger cleaning system
- Easy ash removal with a large, dual-chamber ash pan



Remote control or thermostat compatible

Standard bolt-on hearth pad

Standard tri-mode operating system

- Manual, Hi/Lo, Auto Off

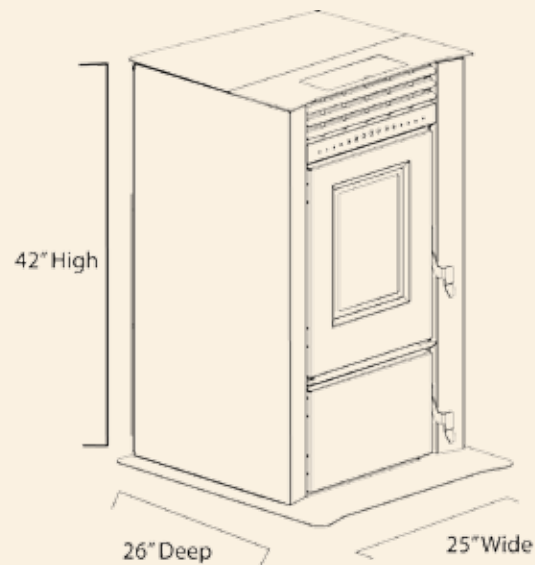
Leveling legs

455 cfm variable speed fan



VF-170
Control Board

Dimensions:



Clearances to Combustibles:

Sides 12" - Rear 4" - Top 42"