



VF170

FREESTANDING PELLET STOVE

VISTAFLAME 
HEARTH PRODUCTS

WARM UP TO A VISTAFLAME



Specifications

VF170

Heat Output*	70,000 BTU
Heating Area	2,700 ft ²
Efficiency*	86%
EPA Emissions	2.3 g per hour
Hopper Capacity	130 lbs
Weight	325 lbs
Power (normal use / start up)	300/600 watts
Variable Fan Speed	455 cfm

* Efficiency, emissions and area heated will vary according to fuel type, venting and location

Clearance to Combustibles

Minimum distance to the sides of the unit	12"
Minimum non-combustible surface behind the unit	4"
Min. non-combustible surface from the top of the unit	48"
Minimum non-combustible surface to corner of unit	4"

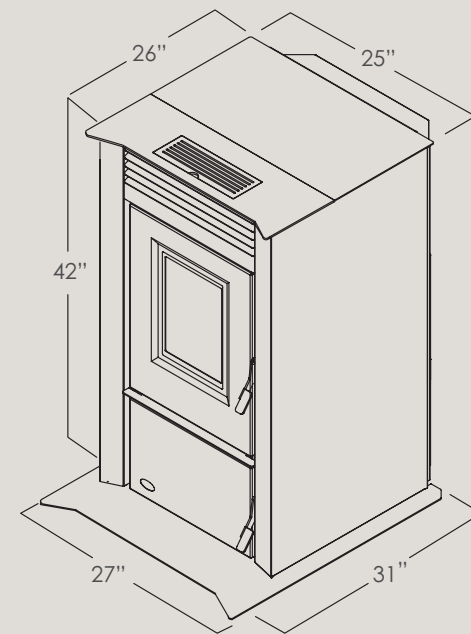
Please see owner's manual for more information

VF170 Features

- **Tri-mode Operating System** – Manual, Hi/Lo, Auto Off.
- **Heat Exchanger** – Extra large 1320 in² heat exchanger that is self-cleaning.
- **Extra Large Ash Pan** – Large dual-chambered ash pan removes easily and requires less frequent cleaning.
- **Built In Floor Protection** – No hearth pad required.
- **Hopper Capacity** – 130 lbs hopper capacity allows you to operate for longer periods without having to refill.
- **Leveling Legs** – convenient for uneven surfaces.
- **High Performance Fan** – Our most powerful room fan at 455 cfm, excellent for heating large areas.

VF170 Options

- **Wireless Digital Thermostat or Remote Control** – An optional wireless digital Wall Thermostat and remote control are available for the VF170.



Manufactured by Sherwood Industries Ltd
 Victoria, BC, Canada ▪ vistaflame.ca
 Printed in Canada, January 2013